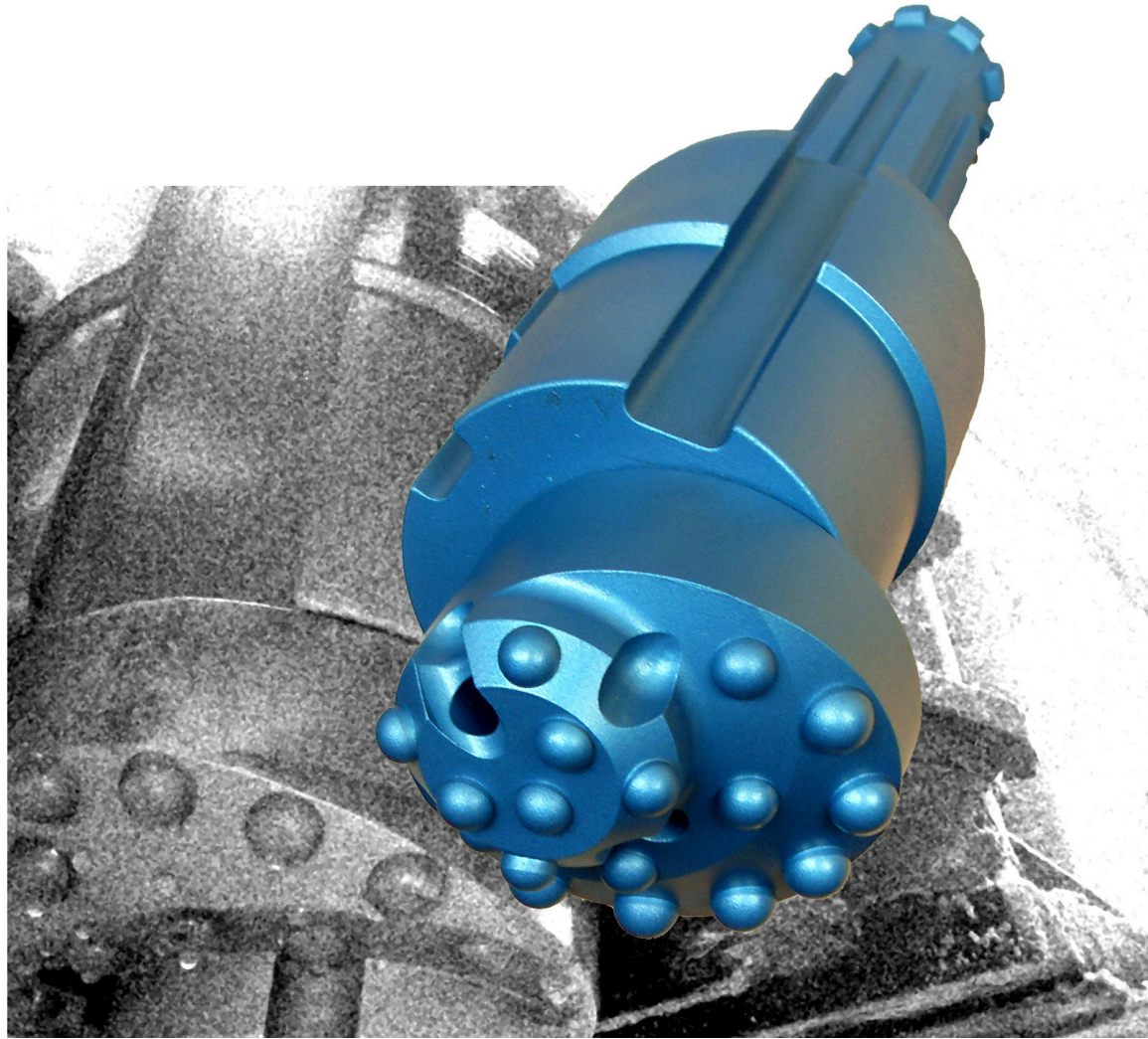


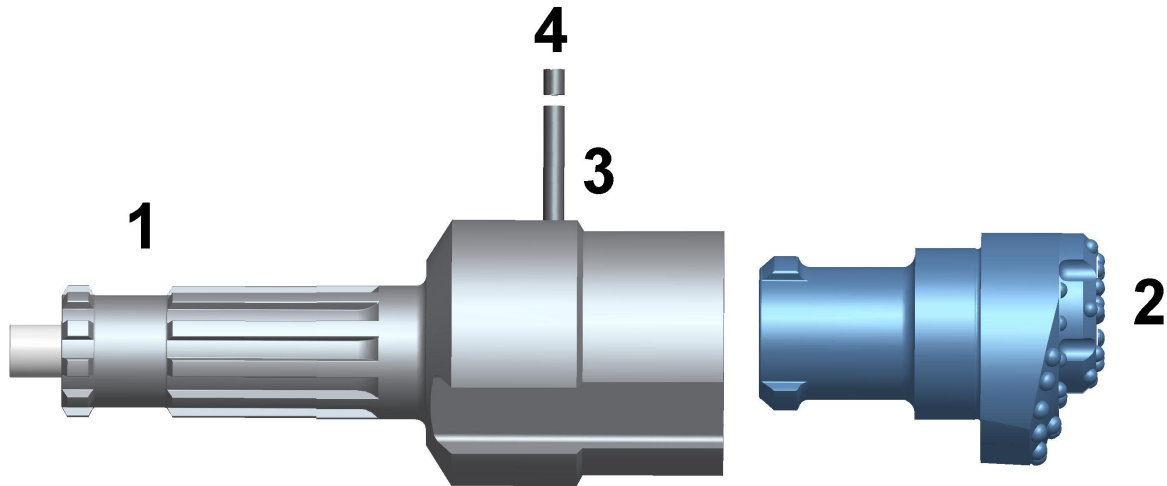
# PITUMEC

## THE PES 115 ECCENTRIC UNDERREAMING SYSTEM



CASING SIZE 139MM OD X 127MM ID DRILLING DIA. 155MM

# PNEUMEC PES 115 ECCENTRIC UNDERREAMING SYSTEM



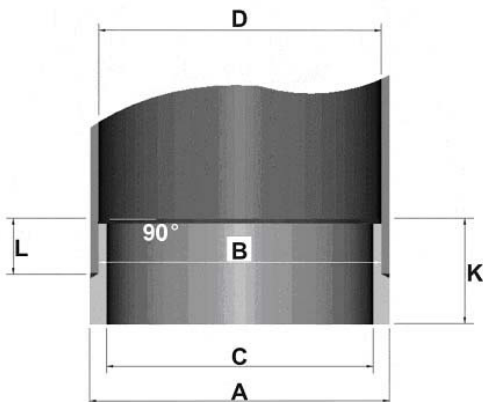
## PES 115 PARTS LIST

1.	GUIDE DEVICE DHD340 SHANK	UGD115340PES
2.	ECCENTRIC BIT	UPB115PES
3.	LOCKING PIN	USP11550PES
4.	SPLIT PIN	USP11551PES
5.	COMPLETE SYSTEM	UCS115340PES

## PES 115 SPECIFICATIONS

UPPER BODY DIAMETER	125MM	CLOSED DIAMETER	115MM
REAMING DIAMETER	155MM	CASING SIZE	139.4MM OD X 127MM ID
SYSTEM LENGTH	510MM	SYSTEM WEIGHT	28KG

## PES 115 CASING SHOES



DIA. A	139.4MM
DIA. B	125MM
DIA. C	116.5MM
DIA. D	127MM
L	46MM
K	85MM

# PNEUMEC

**PNEUMEC COMPANY LIMITED**

1st Floor, Tin On Sing Comm. Bldg., 41-43 Graham St. Central, H.K.

Tel : (852) 2180 9922

Fax : (852) 2180 9982

Website : [www.pneumec.com](http://www.pneumec.com)

email : [info@pneumec.com](mailto:info@pneumec.com)